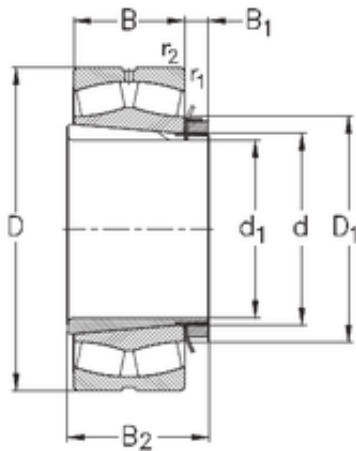




NTN BEARING-SUDAMERICANA, S.A.

360 mm x 540 mm x 134 mm NKE 23072-K-MB-W33+OH3072-H spherical roller bearings

Bearing No. 23072-K-MB-W33+OH3072-H



23072-K-MB-W33+OH3072-H Bearing 2D drawings and 3D CAD models

| | |
|-------------------------------|----------------|
| Size | 360x540x134 mm |
| Bore Diameter | 360 mm |
| Outer Diameter | 540 mm |
| Width | 134 mm |
| d | 360 mm |
| d1 | 340 mm |
| D | 540 mm |
| B | 134 mm |
| C | 134 mm |
| r1 min. | 5 mm |
| r2 min. | 5 mm |
| B1 | 45 mm |
| B2 | 188 mm |
| D1 | 420 mm |
| Weight | 140 Kg |
| Basic dynamic load rating (C) | 2360 kN |
| Basic static load rating (C0) | 4460 kN |
| Limiting speed | 1200 r/min |
| Calculation factor (e) | 0,24 |
| Calculation factor (Y0) | 2,6 |
| Calculation factor (Y1) | 2,8 |