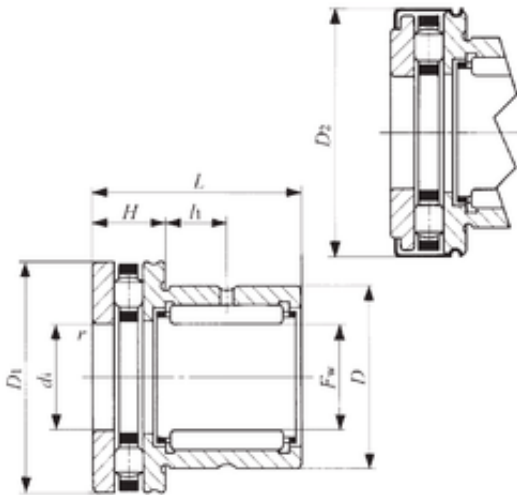




# NTN BEARING-SUDAMERICANA, S.A.



NBX 3530Z Bearing 2D drawings and 3D CAD models

## IKO NBX 3530Z complex bearings

Bearing No. NBX 3530Z

Bore Diameter	35 mm
Outer Diameter	47 mm
Fw	35 mm
D	47 mm
D1	52 mm
D2	53 mm
d1	35 mm
r min.	0,6 mm
H	12 mm
L	30 mm
L1	9 mm
da min.	50 mm
Weight	0,193 Kg
Dynamic load rating radial (C)	26,9 kN
Dynamic load rating axial (C)	29,1 kN
Static load rating radial (C0)	46,2 kN
Static load rating axial (C0)	91,1 kN