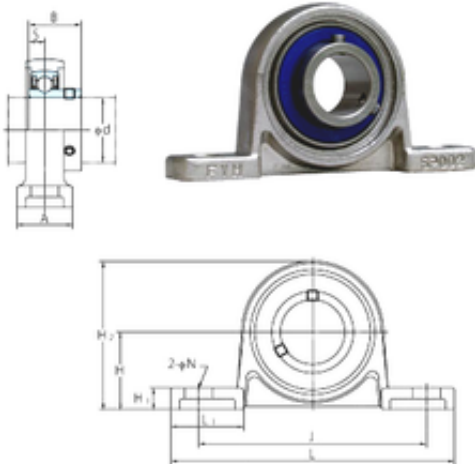




# NTN BEARING-SUDAMERICANA, S.A.



## FYH USP002S6 bearing units

Bearing No. USP002S6

Bore Diameter	15 mm
Width	16,5 mm
d	15 mm
A	16 mm
B	16,5 mm
H	22 mm
H1	6 mm
H2	42,5 mm
J	63 mm
L	80 mm
L1	20,5 mm
N	7 mm
S	5,5 mm
Bolt (G)	M6
Weight	0,11 Kg
Basic dynamic load rating (C)	5,6 kN
Basic static load rating (C0)	4,7 kN

USP002S6 Bearing 2D drawings and 3D CAD models