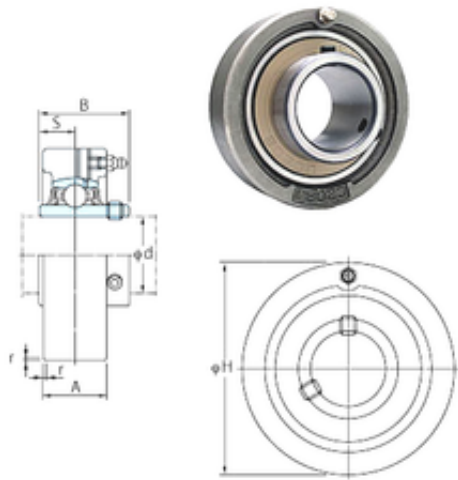




NTN BEARING-SUDAMERICANA, S.A.

FYH UCCX05 bearing units

Bearing No. UCCX05



UCCX05 Bearing 2D drawings and 3D CAD models

Bore Diameter	25 mm
Width	38,1 mm
d	25 mm
r	1,5 mm
A	27 mm
B	38,1 mm
H	90 mm
S	15,9 mm
Weight	1 Kg
Basic dynamic load rating (C)	19,5 kN
Basic static load rating (C0)	11,3 kN