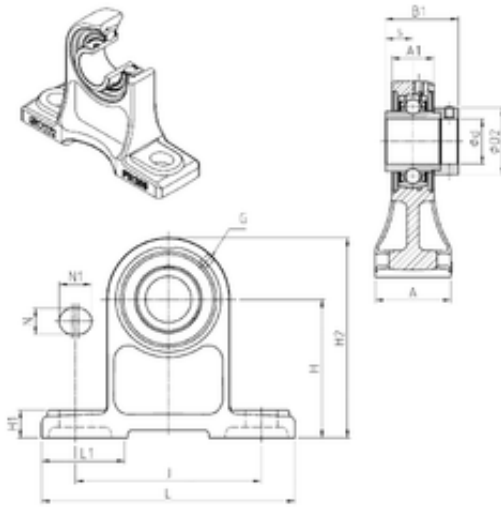




NTN BEARING-SUDAMERICANA, S.A.



SNR EXPH208 bearing units

Bearing No. EXPH208

Bore Diameter	40 mm
d	40 mm
s	21,4 mm
A	70 mm
A1	34 mm
B1	56,3 mm
D2	60,3 mm
H	100 mm
H1	19 mm
H2	149 mm
J	137 mm
L	184 mm
L1	58 mm
N	17 mm
N1	25 mm
Thread (G)	M6x1
Weight	3 Kg
Basic dynamic load rating (C)	29,6 kN

EXPH208 Bearing 2D drawings and 3D CAD models