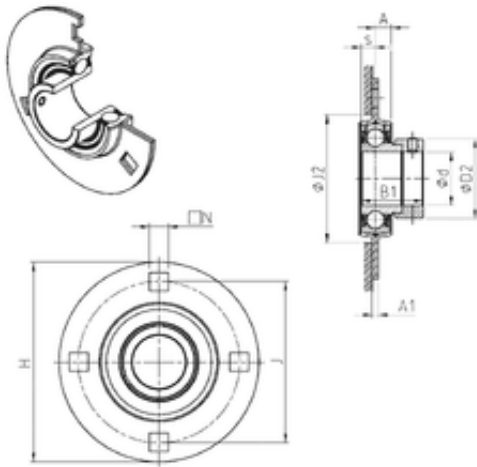




NTN BEARING-SUDAMERICANA, S.A.



SNR ESPF210 bearing units

Bearing No. ESPF210

Bore Diameter	50 mm
d	50 mm
s	11 mm
A	10,5 mm
A1	8 mm
B1	43,7 mm
D2	69,9 mm
H	155,6 mm
N	13,5 mm
J1	127 mm
J2	102 mm
Weight	1,8 Kg
Basic dynamic load rating (C)	35,1 kN

ESPF210 Bearing 2D drawings and 3D CAD models