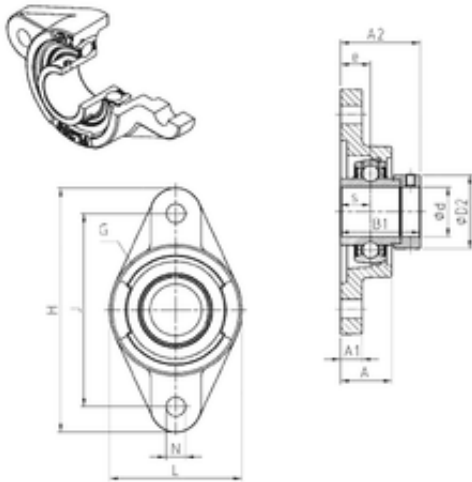




NTN BEARING-SUDAMERICANA, S.A.



SNR EXFL320 bearing units

Bearing No. EXFL320

Bore Diameter	100 mm
d	100 mm
e	59 mm
s	50 mm
A	94 mm
A1	40 mm
B1	128,6 mm
D2	146 mm
H	440 mm
J	360 mm
L	270 mm
N	44 mm
Thread (G)	M10x1
A2	137,6 mm
Weight	27,9 Kg
Basic dynamic load rating (C)	171,6 kN

EXFL320 Bearing 2D drawings and 3D CAD models