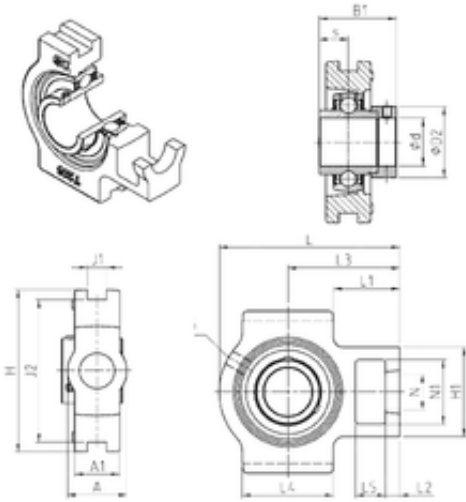




NTN BEARING-SUDAMERICANA, S.A.



SNR EXT316 bearing units

Bearing No. EXT316

Bore Diameter	80 mm
d	80 mm
L4	160 mm
L5	42 mm
L2	30 mm
L3	174 mm
s	40,5 mm
A	102 mm
A1	60 mm
B1	106,4 mm
D2	119 mm
H	230 mm
H1	150 mm
L	282 mm
L1	94 mm
N	53 mm
N1	98 mm
Thread (G)	M10x1
J1	30 mm
J2	204 mm
Weight	17,1 Kg
Basic dynamic load rating (C)	122,85 kN
A2	60 mm
B	81 mm
A5	40.5 mm
d1	119 mm

EXT316 Bearing 2D drawings and 3D CAD models



NTN BEARING-SUDAMERICANA, S.A.

G	M10x1
H2	150 mm
N2	98 mm
s1	72.3 mm
S	40.5 mm
SW	8 mm
C	122.85 kN
C0	86.5 kN
T min.	-20 ° C
T max.	100 ° C
Recommended tightening torque for set screw	64 Nm
Designation of housing	T316-
Designation of bearing	EX316G2