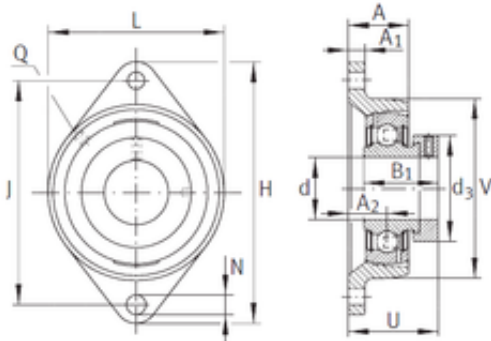




NTN BEARING-SUDAMERICANA, S.A.

INA PCJT1-1/4 bearing units



Bearing No. PCJT1-1/4

| | |
|---------------|------------|
| Bore Diameter | 31.75 mm |
| d | 31.75 mm |
| V | 92,507 mm |
| U | 50,495 mm |
| Thread (Q) | 1/8 NPT |
| d3 | 51,003 mm |
| A | 34,493 mm |
| A1 | 13,995 mm |
| B | 38,989 mm |
| H | 156,007 mm |
| J | 129,997 mm |
| L | 92,507 mm |
| N | 13,995 mm |
| A2 | 21,006 mm |

PCJT1-1/4 Bearing 2D drawings and 3D CAD models