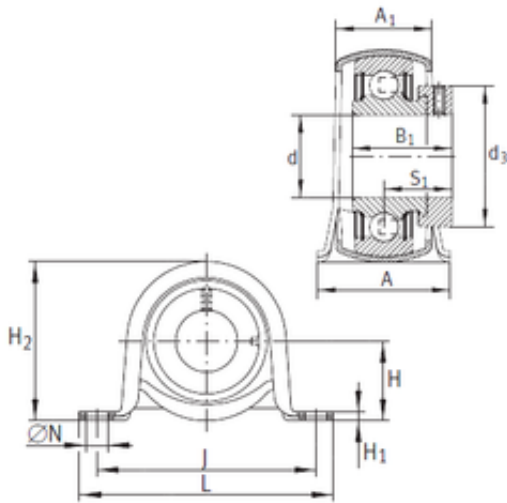




NTN BEARING-SUDAMERICANA, S.A.



PB25 Bearing 2D drawings and 3D CAD models

INA PB25 bearing units

Bearing No. PB25

Bore Diameter	25 mm
d	25 mm
S1	23,5 mm
d3	37,5 mm
A	31,8 mm
A1	23,5 mm
B1	31 mm
H	28,6 mm
H1	4 mm
H2	56,5 mm
J	86 mm
L	108 mm
N	11,5 mm
Category	Pillow Block Bearings
Inventory	0.0
Manufacturer Name	SCHAEFFLER GROUP
Minimum Buy Quantity	N/A
Weight / Kilogram	0.3
EAN	4012802792881
Product Group	M06110
Number of Mounting Holes	2
Mounting Method	Eccentric Collar
Housing Style	2 Bolt Pillow Block
Rolling Element	Ball Bearing
Housing Material	Stamped Steel
Expansion / Non-expansion	Non-expansion



NTN BEARING-SUDAMERICANA, S.A.

Mounting Bolts	11.5 Millimeter
Relubricatable	No
Insert Part Number	RAE25NPPB
Seals	Double Lip Contact
Housing Configuration	1 Piece Solid
Inch - Metric	Metric
Other Features	Single Row Corrotect Coating With Set Screw
Long Description	2 Bolt Pillow Block; 25MM Bore; 28.6MM Base to Center Height; Eccentric Collar Mount; Ball Bearing; No Relubricatable; Stamped Steel; Double Lip Contact; Non-expansion
Category	Pillow Block
UNSPSC	31171511
Harmonized Tariff Code	8483.20.40.40
Noun	Bearing
Keyword String	Pillow Block
Manufacturer URL	http://www.ina.com
Manufacturer Item Number	PB25
Weight / LBS	0.661
Length Thru Bore	1.22 Inch 31 Millimeter
Bolt Spacing Maximum	0 Inch 0Millimeter
Bore	0.984 Inch 25 Millimeter
Nominal Bolt Center to Center	3.4 Inch 86 Millimeter
Actual Bolt Center to Center	3.4 Inch 86Millimeter
Base to Center Height	1.126 Inch 28.6 Millimeter
Bolt Spacing Minimum	0 Inch 0Millimeter