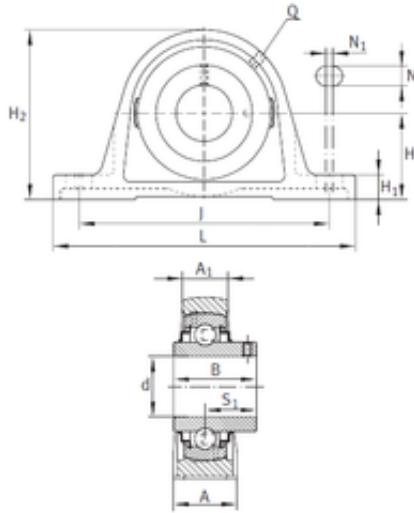




NTN BEARING-SUDAMERICANA, S.A.



INA RASEY1-1/2 bearing units

Bearing No. RASEY1-1/2

Bore Diameter	38,1 mm
d	38,1 mm
S1	30,201 mm
Thread (Q)	1/8 NPT
A	50,013 mm
A1	32,995 mm
B	49,2 mm
H	49,2 mm
H1	19,99 mm
H2	100 mm
J	135,992 mm
L	181,509 mm
N	15,012 mm
N1	10,999 mm
Category	Pillow Block Bearings
Inventory	0.0
Manufacturer Name	SCHAEFFLER GROUP
Minimum Buy Quantity	N/A
Weight / Kilogram	2.1
Product Group	M06110
Number of Mounting Holes	2
Mounting Method	Set Screw
Housing Style	2 Bolt Pillow Block
Rolling Element	Ball Bearing
Housing Material	Cast Iron
Expansion / Non-expansion	Non-expansion

RASEY1-1/2 Bearing 2D drawings and 3D CAD models



NTN BEARING-SUDAMERICANA, S.A.

Relubricatable	Yes
Insert Part Number	GY1108KRRB
Seals	Double Land Riding Rubber Contact
Housing Configuration	1 Piece Solid
Inch - Metric	Inch
Other Features	Single Row Standard Shaft Height
Long Description	2 Bolt Pillow Block; 1-1/2" Bore; 1-15/16" Base to Center Height; Set Screw Mount; Ball Bearing; 4-59/64" Minimum Bolt Spacing; 5.787" Bolt Spacing Maximum; Relubricatable; Cast Ir
Category	Pillow Block
UNSPSC	31171511
Harmonized Tariff Code	8483.20.40.40
Noun	Bearing
Keyword String	Pillow Block
Manufacturer URL	http://www.ina.com
Manufacturer Item Number	RASEY1-1/2
Weight / LBS	4.63
Length Thru Bore	1.937 Inch 49.2 Millimeter
Bolt Spacing Minimum	4.921 Inch 125Millimeter
Bore	1.5 Inch 38.1 Millimeter
Bolt Spacing Maximum	5.787 Inch 147Millimeter
Base to Center Height	1.938 Inch 49.225 Millimeter
Actual Bolt Center to Center	0 Inch 0Millimeter
Nominal Bolt Center to Center	5.4 Inch 136 Millimeter