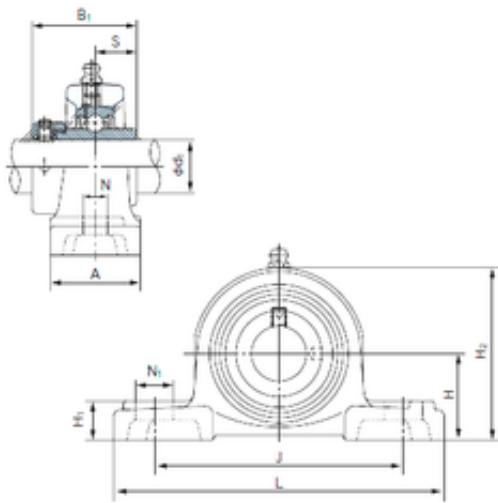




NACHI UGP208 bearing units



Bearing No. UGP208

Bore Diameter	40 mm
Width	49.2 mm
d	40 mm
A	54 mm
B1	56.3 mm
H	49.2 mm
H1	19 mm
H2	100 mm
J	137 mm
L	184 mm
N	17 mm
N1	25 mm
S	21.4 mm
Bolt (G)	M14

UGP208 Bearing 2D drawings and 3D CAD models