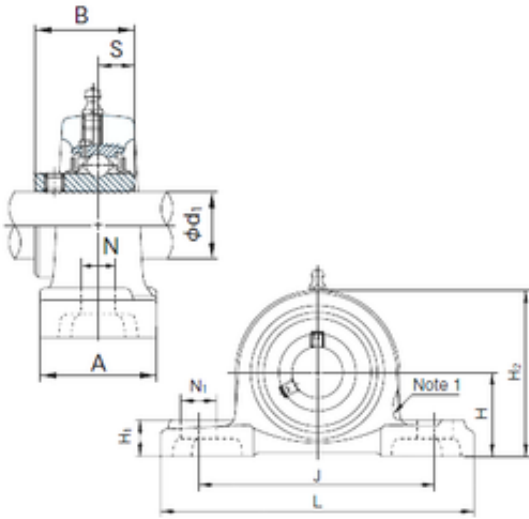




NTN BEARING-SUDAMERICANA, S.A.



UCPX10 Bearing 2D drawings and 3D CAD models

NACHI UCPX10 bearing units

Bearing No. UCPX10

Bore Diameter	50 mm
Width	55.6 mm
d	50 mm
A	73 mm
B	55.6 mm
H	63.5 mm
H1	27 mm
H2	126 mm
J	171 mm
L	241 mm
N	20 mm
N1	36 mm
S	22.2 mm
Bolt (G)	M16
Category	Bearings
Inventory	0.0
Manufacturer Name	NACHI
Minimum Buy Quantity	N/A
Weight / Kilogram	0
Product Group	M06110