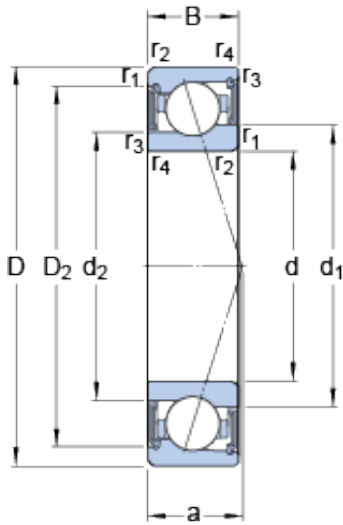




# NTN BEARING-SUDAMERICANA, S.A.



110 mm x 150 mm x 20 mm SKF S71922  
CE/P4A angular contact ball bearings

Bearing No. S71922 CE/P4A

S71922 CE/P4A Bearing 2D drawings and 3D CAD models

Size	150x110x20 mm
Bore Diameter	150 mm
Outer Diameter	110 mm
Width	20 mm
d	110 mm
D	150 mm
B	20 mm
d <sub>1</sub>	122.4 mm
d <sub>2</sub>	119 mm
D <sub>2</sub>	140.9 mm
r <sub>1,2</sub> - min.	1.1 mm
r <sub>3,4</sub> - min.	0.6 mm
a	28.7 mm
d <sub>a</sub> - min.	116 mm
d <sub>a</sub> - max.	121.8 mm
d <sub>b</sub> - min.	113.2 mm
d <sub>b</sub> - max.	118.4 mm
D <sub>a</sub> - max.	144 mm
D <sub>b</sub> - max.	146.8 mm
r <sub>a</sub> - max.	1 mm
r <sub>b</sub> - max.	0.6 mm
Basic dynamic load rating - C	39.7 kN
Basic static load rating - C <sub>0</sub>	34.5 kN
Fatigue load limit - P <sub>u</sub>	1.2 kN



## NTN BEARING-SUDAMERICANA, S.A.

Limiting speed for grease lubrication	12000 r/min
Ball - $D_w$	12.7 mm
Ball - z	26
Calculation factor - $f_0$	8.6
Preload class A - $G_A$	220 N
Preload class B - $G_B$	650 N
Preload class C - $G_C$	1300 N
Calculation factor - f	1.2
Calculation factor - f	1
Calculation factor - $f_{2A}$	1
Calculation factor - $f_{2B}$	1.04
Calculation factor - $f_{2C}$	1.08
Calculation factor - $f_{HC}$	1
Preload class A	80 N/micron
Preload class B	126 N/micron
Preload class C	174 N/micron
$d_1$	122.4 mm
$d_2$	119 mm
$D_2$	140.9 mm
$r_{1,2}$ min.	1.1 mm
$r_{3,4}$ min.	0.6 mm
$d_a$ min.	116 mm
$d_a$ max.	121.8 mm
$d_b$ min.	113.2 mm
$d_b$ max.	118.4 mm
$D_a$ max.	144 mm
$D_b$ max.	146.8 mm
$r_a$ max.	1 mm
$r_b$ max.	0.6 mm
Basic dynamic load rating C	39.7 kN



## NTN BEARING-SUDAMERICANA, S.A.

Basic static load rating $C_0$	34.5 kN
Fatigue load limit $P_u$	1.25 kN
Attainable speed for grease lubrication	12000 r/min
Ball diameter $D_w$	12.7 mm
Number of balls $z$	26
Preload class A $G_A$	220 N
Static axial stiffness, preload class A	80 N/ $\mu$ m
Preload class B $G_B$	650 N
Static axial stiffness, preload class B	126 N/ $\mu$ m
Preload class C $G_C$	1300 N
Static axial stiffness, preload class C	174 N/ $\mu$ m
Calculation factor $f$	1.2
Calculation factor $f_1$	1
Calculation factor $f_{2A}$	1
Calculation factor $f_{2B}$	1.04
Calculation factor $f_{2C}$	1.08
Calculation factor $f_{HC}$	1
Calculation factor $f_0$	8.6
Mass bearing	0.84 kg